

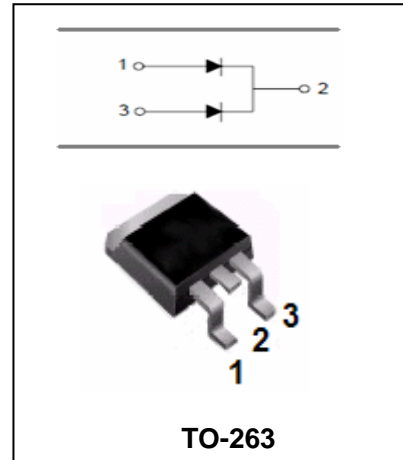
Schottky Barrier Rectifier MBRB10150CT...MBRB10200CT

FEATURES

- Metal-Semiconductor junction with guard ring.
- Epitaxial construction.
- Low forward voltage drop, low switching losses.
- High surge capacity.
- For use in low voltage, high frequency inverters free wheeling, and polarity protection applications.
- The plastic material carries U/L recognition 94V-0.



Lead-free



MAXIMUM RATING operating temperature range applies unless otherwise specified

Symbol	Parameter	MBRB10150CT	MBRB10200CT	Unit
V_{RRM}	Recurrent Peak Reverse Voltage	150	200	V
V_{RMS}	RMS Reverse Voltage	105	140	V
V_{DC}	DC Blocking Voltage	150	200	V
$I_{F(AV)}$	Average Forward Total Device Rectified Current @ $T_A=100^{\circ}C$	10		A
I_{FSM}	Peak Forward Surge Current 8.3ms Single Half Sine-wave Superimosed on Rated Load	125		A
$R_{\theta JC}$	Typical Thermal Resistance Junction to Case	1.5		$^{\circ}C/W$
$T_j T_{stg}$	Operating Junction and Storage Temperature Range	-55 to +150		$^{\circ}C$



Schottky Barrier Rectifier MBRB10150CT...MBRB10200CT

ELECTRICAL CHARACTERISTICS @ Ta=25°C unless otherwise specified

Parameter	Symbol	Test conditions	MBRB10150CT	MBRB10200CT	UNIT
			MAX		
Reverse Current	I_R	$V_R=V_{RRM}, T_A=25^\circ\text{C}$ $V_R=V_{RRM}, T_A=125^\circ\text{C}$	0.1	50	mA
Forward Voltage	V_F	$I_F=5\text{A}$	0.90	0.95	V

TYPICAL CHARACTERISTICS @ Ta=25°C unless otherwise specified

FIG.1 – FORWARD CURRENT DERATING CURVE

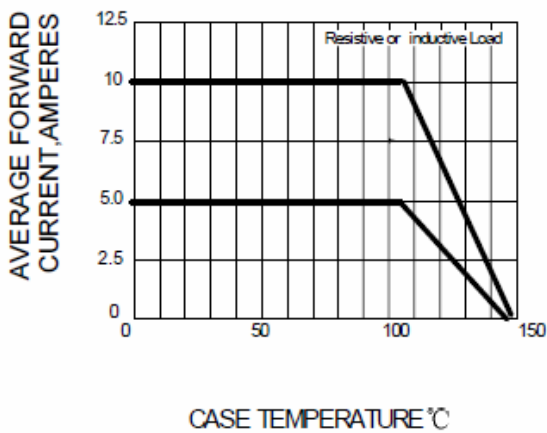


FIG.3 – TYPICAL INSTANTANEOUS FORWARD CHARACTERISTIC PERLEG

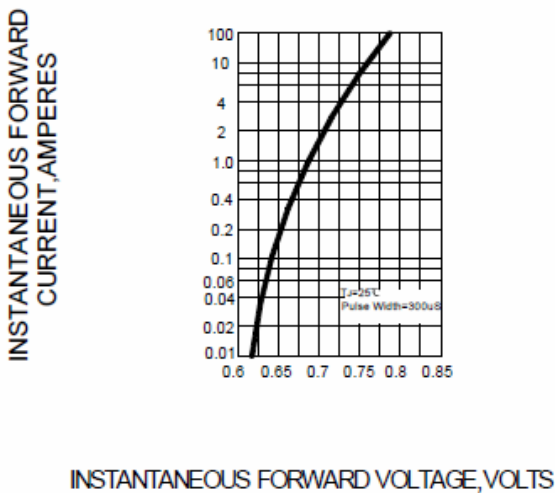


FIG.2 – MAXIMUM NON-REPETITIVE PEAK FORWARD SURGE CURRENT PERLEG

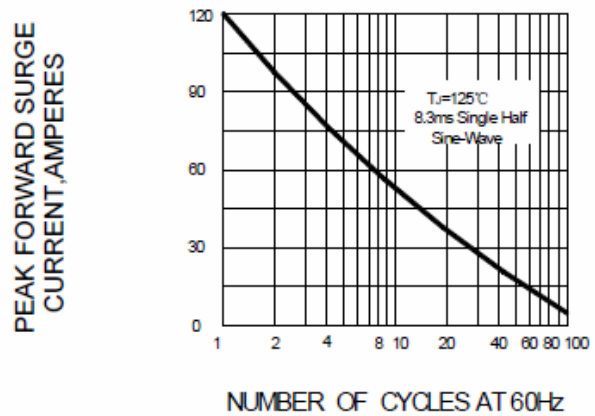
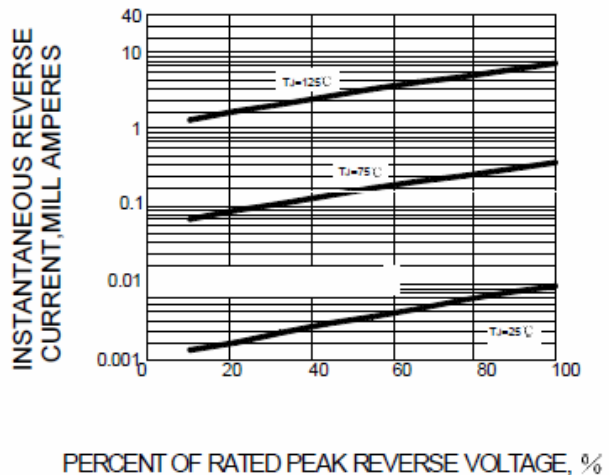


FIG.4 – TYPICAL REVERSE CHARACTERISTICS

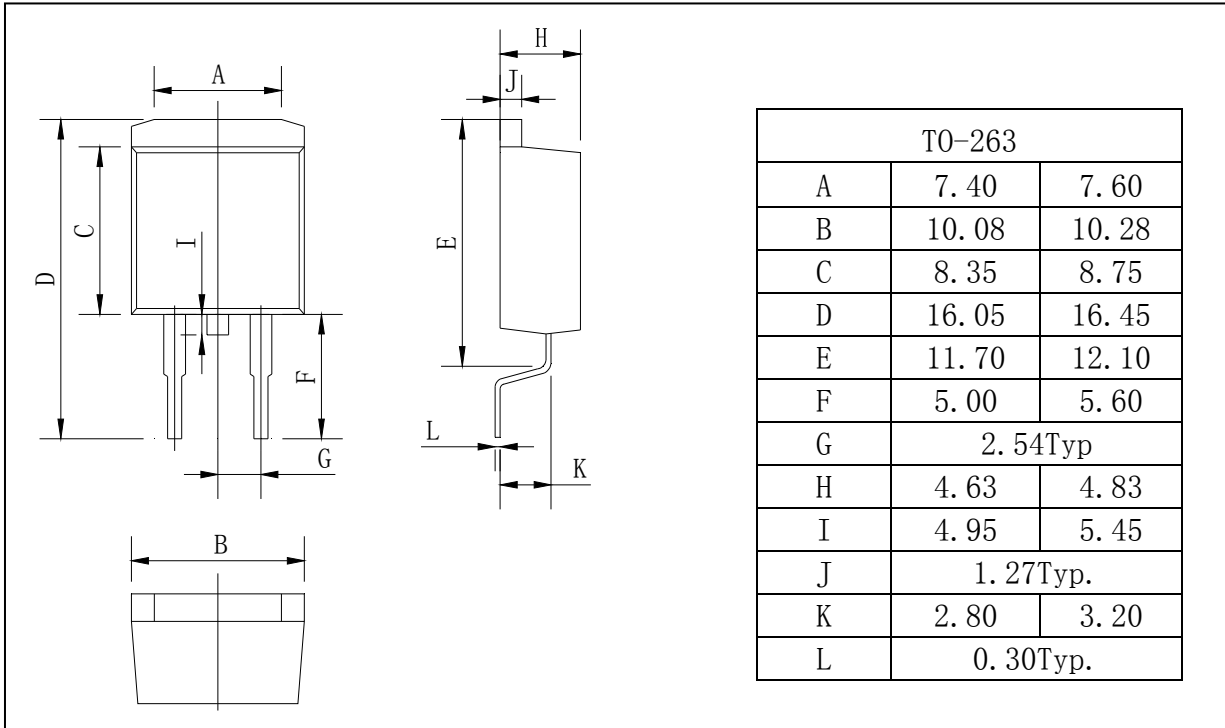


Schottky Barrier Rectifier MBRB10150CT...MBRB10200CT

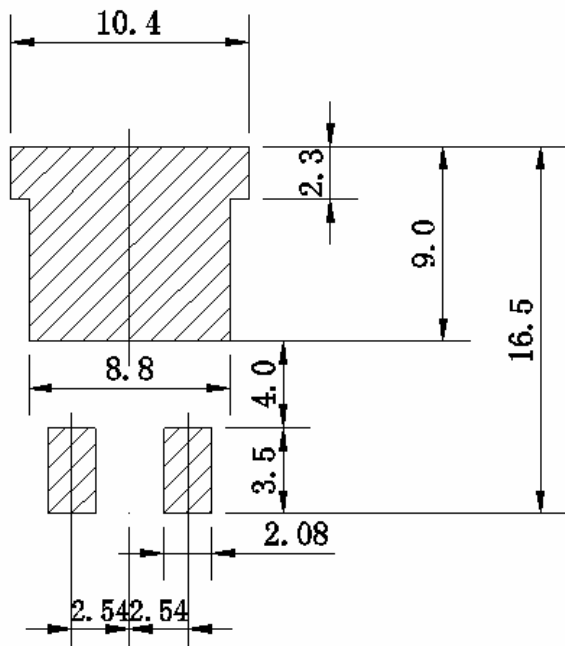
PACKAGE OUTLINE

Plastic surface mounted package

TO-263



SOLDERING FOOTPRINT



Unit:mm